

# Commercial Grade Heavy Duty Rectangle Folding Banquet Tables



**Tough, Durable High-Density Polyethylene Tables with 18-Gauge Electrostatic Powder Coated Legs. Our High Density Polyethylene Tables are 100% Waterproof and Stain Resistant**

Our polyethylene folding tables set the benchmark for plastic folding tables in commercial settings. Crafted from high-density polyethylene, the tabletop ensures durability, ideal for indoor and outdoor use. The smooth, rounded edges enhance comfort, and make for hassle-free setup/breakdown!

*Our high-impact polyethylene table top won't crack, chip, or peel, so it's ideal for indoor and outdoor use.*

## Higher-Grade, Thicker Plastic for More Strength

HDPE (high-density polyethylene) is a solid, strong plastic provides a stronger construct than other plastics. It is one of the most durable plastics on the market, far stronger than ordinary plastic materials that others use. Because of HDPE's strong and durable makeup, it also helps reduce the costs of maintenance, resistant to scratches and dents.

**FREE 2-Year extended warranty, for 4 years total! A \$14.99 to \$19.99 value!**



Standard 30-Inch Height

*Each foot features a replaceable rubber cap to protect floors from scuffs or scratches -- and increase traction on slippery floors.*

1.0" Diameter Legs

Amazing 3.1" Steel Leg Circumference

18-Gauge Electrostatic powder-coated steel legs

*Our reinforced folding legs feature a Posi-Loc mechanism and gravity safety ring to prevent accidental collapse.*



Easy to carry



Waterproof



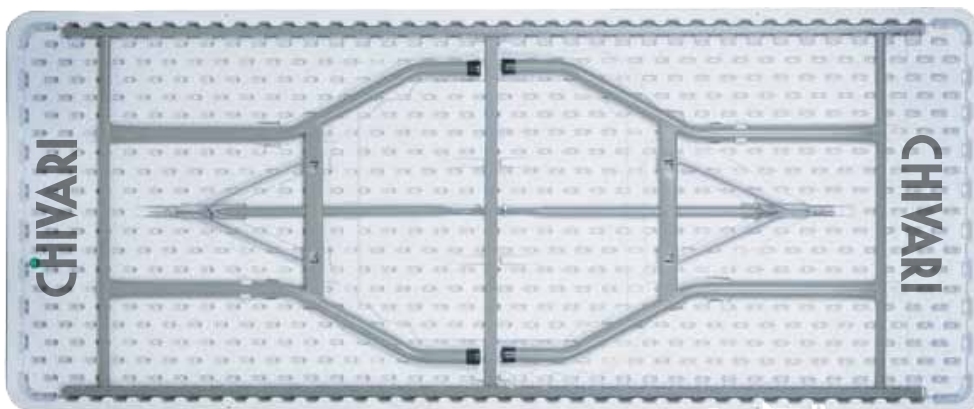
Spill Resistant



Easy To Clean

Our polyethylene folding tables set the benchmark for plastic folding tables in commercial settings. Crafted from high-density polyethylene, the 96" x 30" tabletop ensures durability, ideal for indoor and outdoor use. The smooth, rounded edges enhance comfort, making these tables an excellent choice for hassle-free setup/breakdown!

**Years of Constant Use** Our High Density Tables last 5 - 10 years



## Heavier for Added Strength



**Our tough table: 36 lbs.**



**Their light: table 27 lbs.**

*Under the table frame, clips situated underneath the table keep the legs secure during storage and transport, ensuring they won't unfold unintentionally. This feature also simplifies carrying the table, adding ease to its portability.*

*Crafted from 18 Gauge heavy-duty Electrostatic powder-coated steel, the frame of our folding tables provide exceptional support. Other tables are thinner and lighter, compromising strength, and comfort.*



Features rounded edges to prevent your patrons and guests from bumping into sharp corners.



Clips situated underneath the table keep the legs secure during storage and transport, ensuring they won't unfold unintentionally. This feature also simplifies carrying the table, adding ease to its portability.

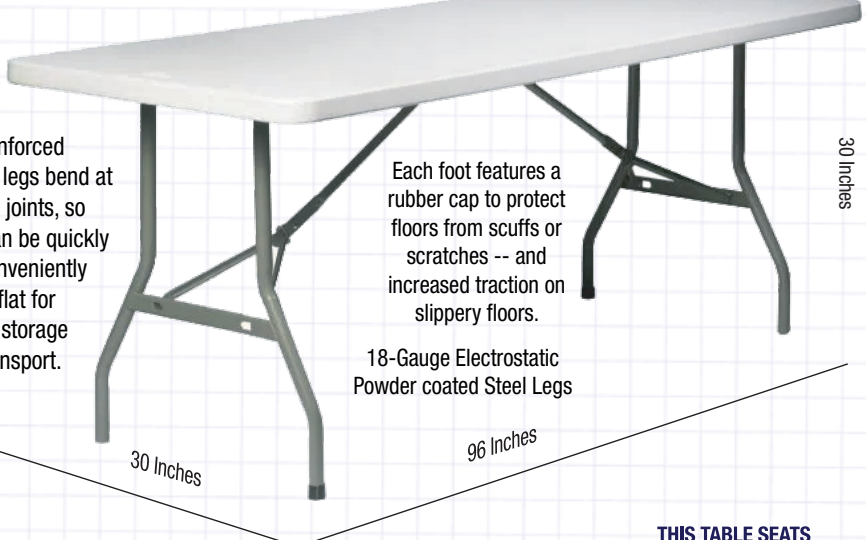


Crafted from heavy-duty powder-coated 20-gauge steel, the frame of this folding table provides exceptional support for laden display stands and full chafing dishes.

# Commercial Grade Heavy Duty Rectangle Folding Banquet Tables



**96 x 30** Our high-impact polyethylene table top won't crack, chip, or peel, so it's ideal for indoor and outdoor use.



Our reinforced folding legs bend at several joints, so they can be quickly and conveniently folded flat for simple storage and transport.

Each foot features a rubber cap to protect floors from scuffs or scratches -- and increased traction on slippery floors.

18-Gauge Electrostatic Powder coated Steel Legs

30 Inches

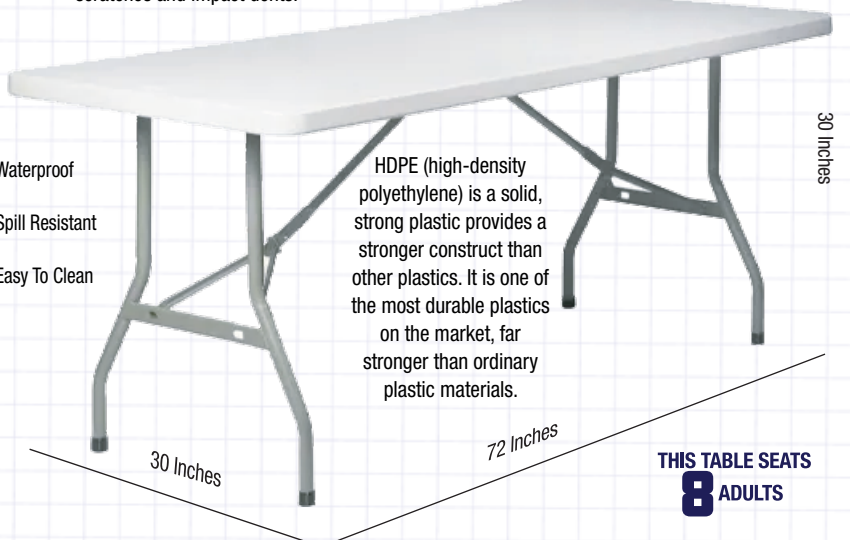
96 Inches

**THIS TABLE SEATS 8-10 ADULTS**

Waterproof Spill Resistant Easy To Clean

96 x 30 Rectangle Product Details	
Material	High Density Polyethylene (HDPE)
Shape	Rectangle
Size	96" x 30" x 3"
Commercial-Grade?	Yes
Folded Dimensions	96" x 30" x 2.0"
Legs	18-Gauge, powder coated steel
Leg Color	Silver
Overall Length / Depth	96" x 30"
Recommended Seating	8-10
Ships Assembled?	Yes
Product Warranty	Extended to 4 Years
Item Weight	45.6 lbs

**72 x 30** Because of HDPE's strong and durable makeup, it also helps reduce the costs of maintenance. You already know that its surface is resistant to scratches and impact dents.



Waterproof Spill Resistant Easy To Clean

HDPE (high-density polyethylene) is a solid, strong plastic provides a stronger construct than other plastics. It is one of the most durable plastics on the market, far stronger than ordinary plastic materials.

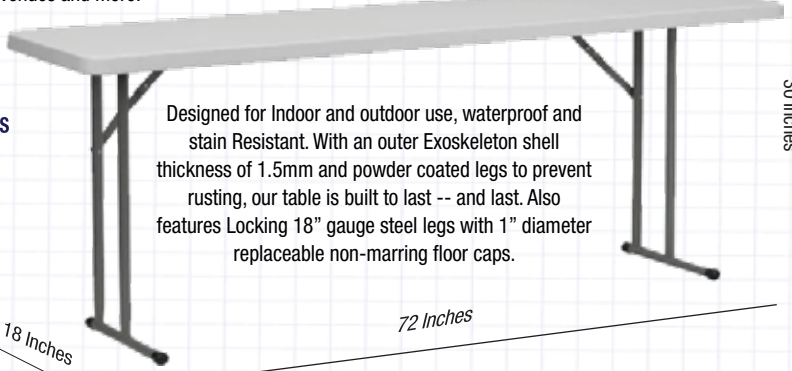
30 Inches

72 Inches

**THIS TABLE SEATS 8 ADULTS**

72 x 30 Rectangle Product Details	
Material	High Density Polyethylene (HDPE)
Shape	Rectangle
Size	72" x 30" x 30"
Commercial-Grade?	Yes
Folded Dimensions	96" x 30" x 2"
Legs	18-Gauge, powder coated steel
Leg Color	Silver
Overall Length / Depth	72" x 30"
Recommended Seating	8
Ships Assembled?	Yes
Product Warranty	Extended to 4 Years
Item Weight	29.1 lbs

**72 x 18** Perfect for banquet halls, rental operations, country clubs, resorts, party venues and more!



**THIS TABLE SEATS 6 ADULTS**

Designed for Indoor and outdoor use, waterproof and stain Resistant. With an outer Exoskeleton shell thickness of 1.5mm and powder coated legs to prevent rusting, our table is built to last -- and last. Also features Locking 18" gauge steel legs with 1" diameter replaceable non-marring floor caps.

30 Inches

72 Inches

18 Inches

Waterproof Spill Resistant Easy To Clean

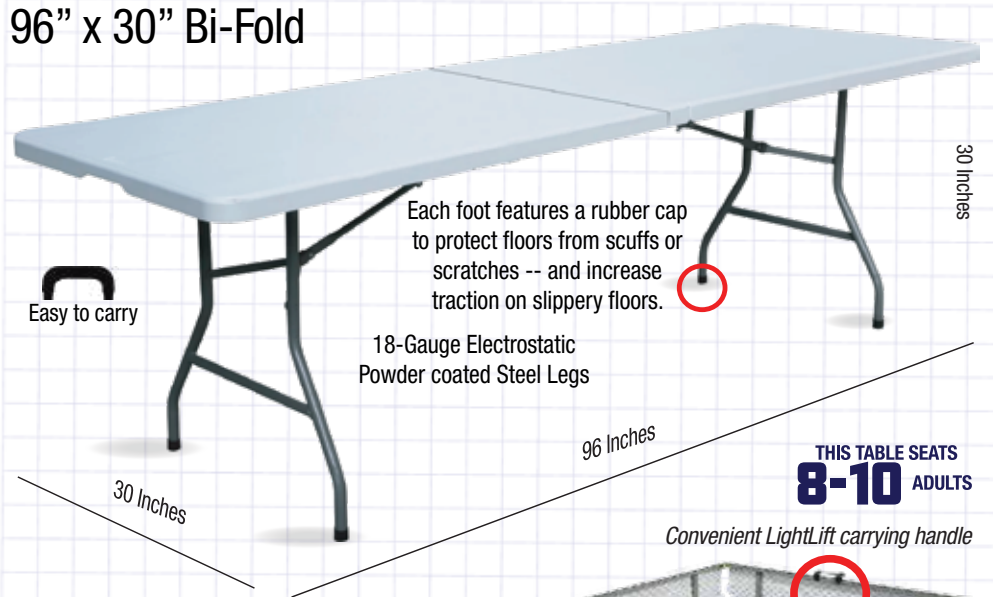
72 x 18 Rectangle Product Details	
Material	High Density Polyethylene (HDPE)
Shape	Rectangle
Size	72" x 18" x 30"
Commercial-Grade?	Yes
Folded Dimensions	72" x 18" x 2.0"
Legs	18-Gauge Power Coated Steel
Leg Color	Silver
Item Weight	50 lbs
Overall Length / Depth	72" x 30"
Recommended Seating	6

# Commercial Grade Heavy Duty Plastic Bi-Fold Banquet Tables

Premium components! Our tables are 25% - 36% heavier than the others!



## 96" x 30" Bi-Fold



### 96" x 30" Bi-Fold Product Details

Material	High Density Polyethylene (HDPE)
Shape	Rectangle
Size	96" x 30" x 30"
Commercial-Grade?	Yes
Folded Dimensions	72" x 30" x 2.0"
Legs	18-Gauge, powder coated steel
Replaceable Floor Caps	Yes, Replaceable non-marring
Overall Length / Depth	96" x 30"
Overall Height	30"
Overall Width	30"
Tablecloth Size(s)	60"x126" or 90"x156"
Recommended Seating	8-10
Ships Assembled?	Yes
Product Warranty	Extended to 4 Years
Item Weight	45.6 lbs

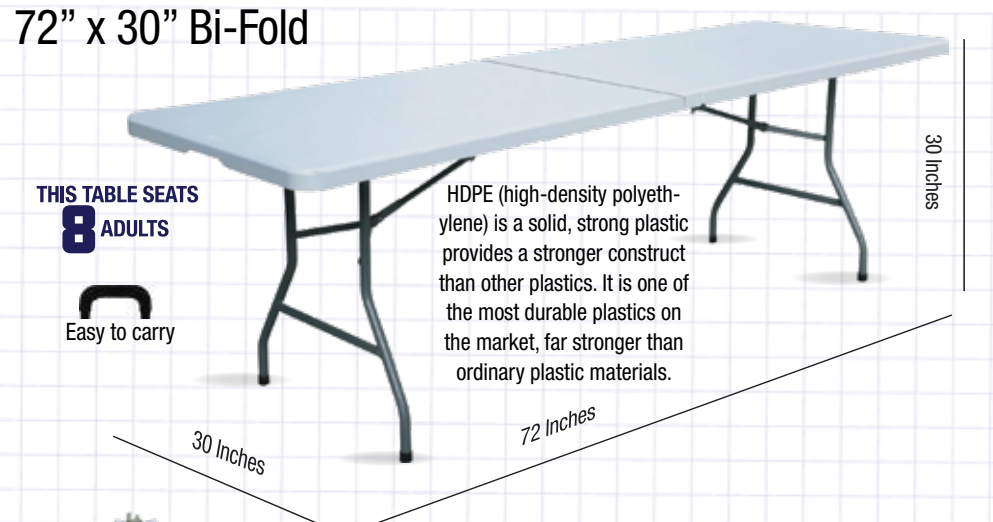
### Tough, Durable High-Density Polyethylene with rugged, 19-Gauge Electrostatic Power Coated Legs

Our High Density Polyethylene Tables are 100% Waterproof and Stain Resistant



Our commercial grade Bi-Fold tables feature ultra-secure locking legs

## 72" x 30" Bi-Fold



Click to secure table top and legs into place.

### 72" x 30" Bi-Fold Product Details

Material	High Density Polyethylene (HDPE)
Shape	Bi-Fold Rectangle
Size	72" x 30" x 30"
Commercial-Grade?	Yes
Folded Dimensions	72" x 30" x 2.0"
Legs	18-Gauge, powder coated steel
Replaceable Floor Caps	Yes, Replaceable non-marring
Overall Length / Depth	72" x 30"
Overall Height	30"
Overall Width	30"
Tablecloth Size(s)	60"x126", 90"x156"
Recommended Seating	8
Ships Assembled?	Yes
Product Warranty	Extended to 4 Years
Item Weight	29.1 lbs

