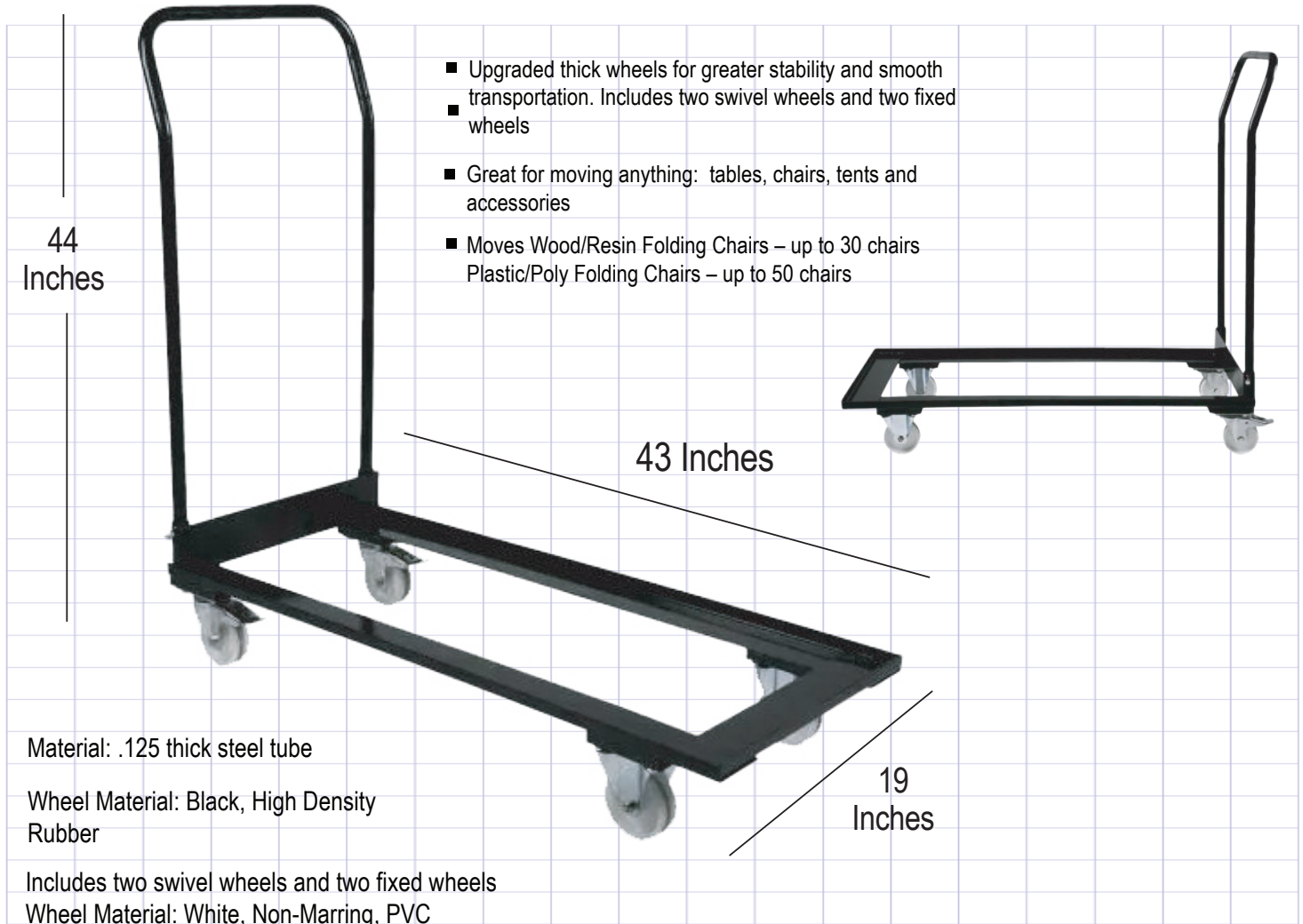


Steel Folding Chair Cart for Poly and Resin Folding Chairs

One cart can carry wood/resin, poly, and plastic folding chairs



The Steel Workhorse

Introducing the ultimate solution for efficient chair transportation! Our versatile cart is designed to carry a variety of folding chairs, including wood/resin, poly, and plastic folding chairs. With the capacity to hold up to 30 wood/resin folding chairs or an impressive 50 plastic/poly folding chairs, this cart ensures your chairs are moved with ease. It securely holds both wood and poly folding chairs, with straps required for wood folding chairs. Plus, it can accommodate two stacks of certain types of Chivari chairs, adding to its versatility.

Crafted from durable steel and featuring white, non-marring PVC wheels, this cart is built to last while protecting your floors. Its sleek black finish adds a touch of elegance to your setup. With a weight capacity of up to 500 lbs., you can trust this cart to handle heavy loads effortlessly. Backed by a 1-year limited warranty, you can purchase with confidence. Weighing just 35 lbs. and with dimensions of 44" in height, 19" in width, and 43" in length, this cart is compact yet powerful.

Product Details

Ships Assembled?	No. Assembly Required
Manufacturer	Chivari
Capacity	Wood/Resin: 30 chairs, Plastic/Poly: 50 chairs
Size Capacity	Up to 72" round or 96" rectangle.
Cart Material	.125 thick steel tube
Wheel Material	White, Non-Marring, PVC
Weight	35 lbs
Width	19 Inches
Overall Cart Length	75 Inches
Overall Cart Height	43 Inches
Product Rating	Commercial Grade
Warranty	One Year