

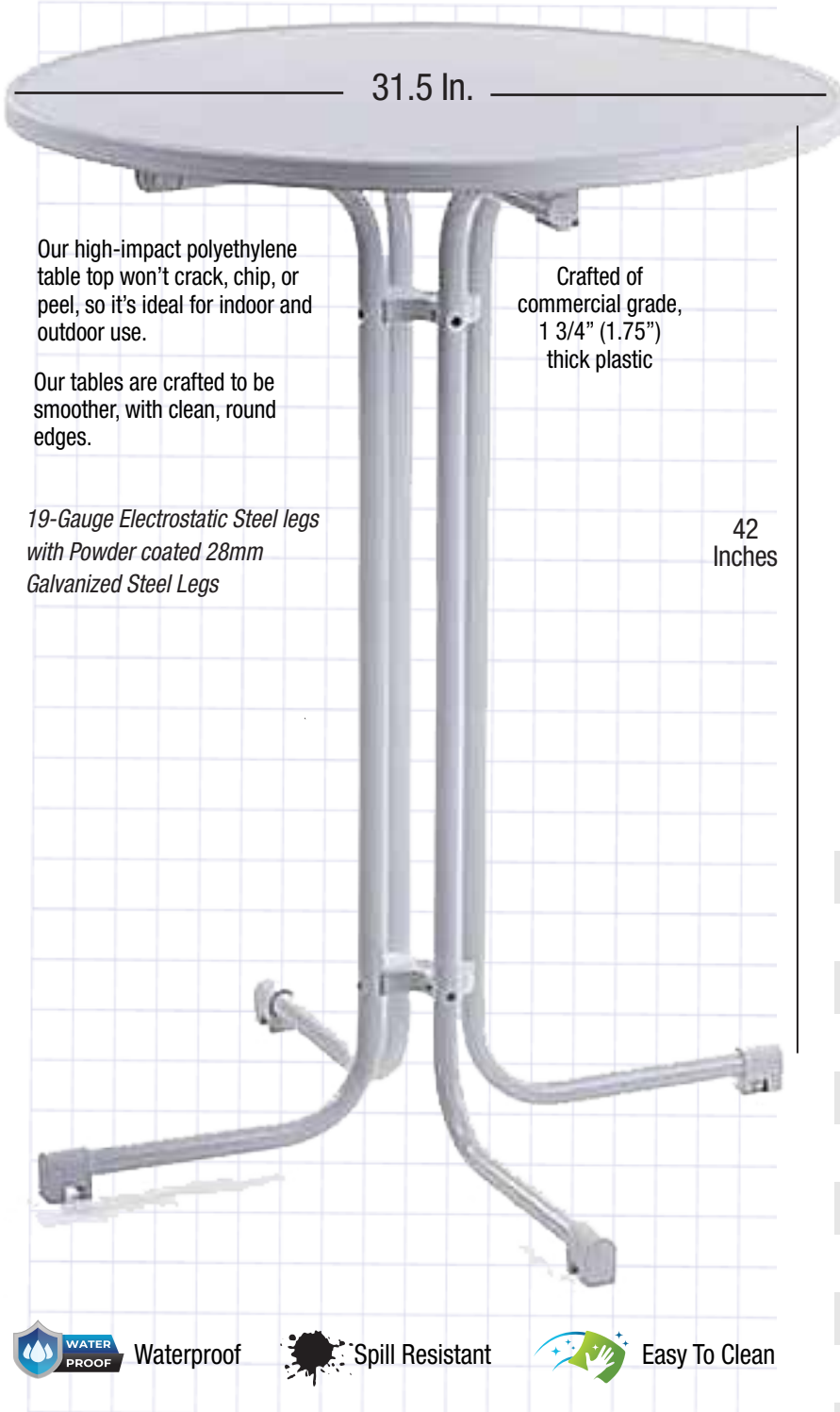
White 31.5" Folding Plastic Cocktail Table

3.75 Inches

Tough, Durable High-Density Polyethylene Table with 19-Gauge Electrostatic Power Coated Legs

Our High Density Polyethylene Tables are 100% Waterproof and Stain Resistant

Commercial Grade



Our high-impact polyethylene table top won't crack, chip, or peel, so it's ideal for indoor and outdoor use.

Our tables are crafted to be smoother, with clean, round edges.

19-Gauge Electrostatic Steel legs with Powder coated 28mm Galvanized Steel Legs

31.5 In.

Crafted of commercial grade, 1 3/4" (1.75") thick plastic

42 Inches

STRONG

HDPE (high-density polyethylene) is a solid, strong plastic provides a stronger construct than other plastics. It is one of the most durable plastics on the market, far stronger than ordinary plastic materials.



54 Inches

Product Details

Material	High Density Polyethylene (HDPE).
Shape	Round
Size	31.5-Inch Diameter
Commercial-Grade?	Yes
Folded Dimensions	3.75" x 54"'''
Legs	19-Gauge, powder coated steel
Leg Color	White
Replaceable Floor Caps	Yes, Replaceable non-marring
Overall Height	42"
Recommended Seating	2
Ships Assembled?	Ships Unassembled (Only 2 Pieces)
Product Warranty	1 Year
Weight Capacity	200 lbs.
Item Weight	20 lbs



Waterproof



Spill Resistant



Easy To Clean

What Makes Our Tables Different: **Built for heavy duty**

Our polyethylene folding tables set the benchmark for plastic folding cocktail tables in commercial settings. Crafted from high-density polyethylene, the 31.5-Inch tabletop ensures durability, ideal for indoor and outdoor use. The smooth, rounded edges enhance comfort, making these tables an excellent choice for hassle-free setup/breakdown!